

Revision Notes.

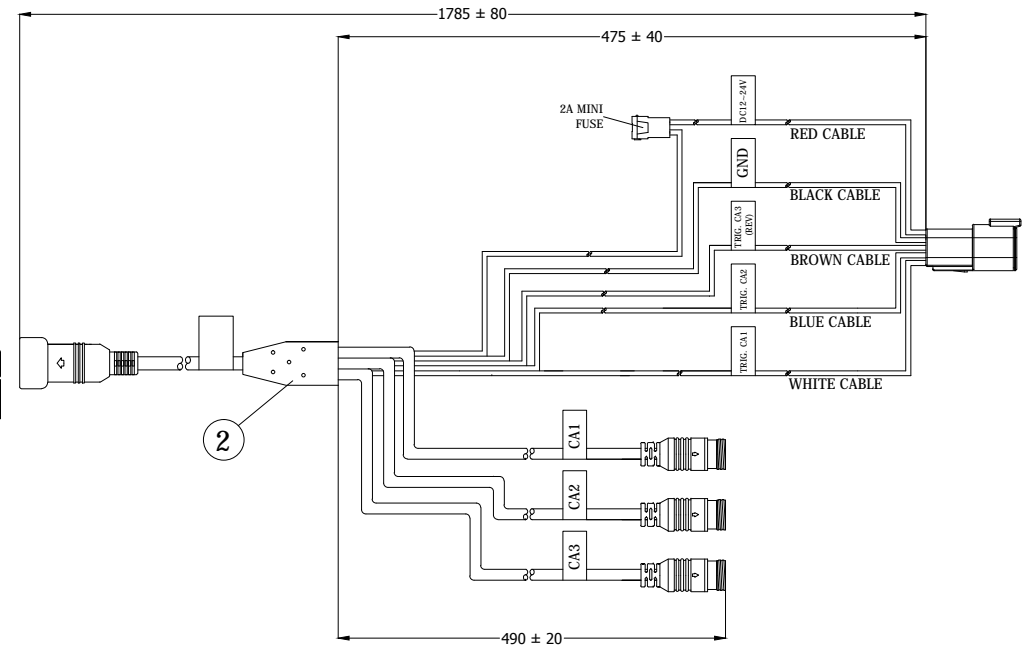
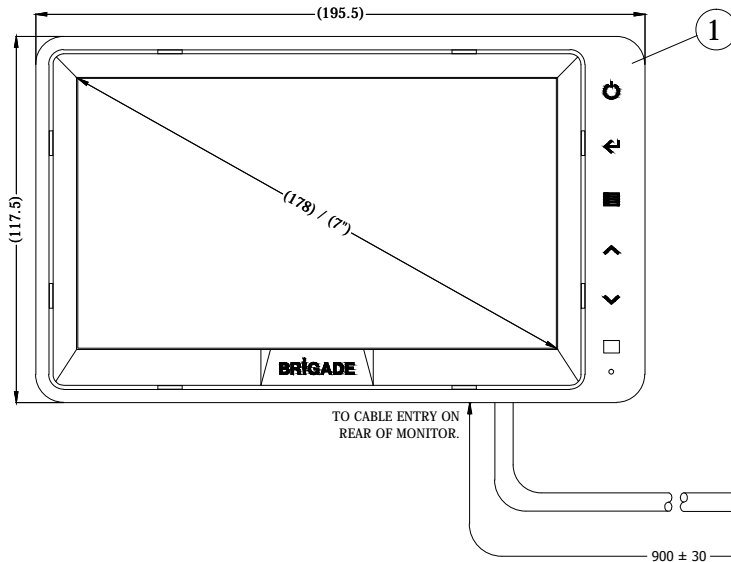
APA: Drawn: Checked: Approved: Date:

CHANGES FROM BASE PRODUCT VBV-770M (4288A) TO VBV-770M(DTM) (5088)

- CHANGE: 1. VBV-7X0M-CA (3176B) REPLACED BY VBV-7X0M-CA(DTM) (5087)
 2. VBV-770M GIFTBOX LABEL REPLACED BY VBV-770M(DTM) GIFTBOX LABEL

OPERATION: OPERATION AS BASE PRODUCT

ITEM	PART NO.	QTY	MODEL / DESCRIPTION
①	(4368A)	1	VBV-770M-M MONITOR
②	(5087)	1	VBV-7X0M-CA(DTM) CABLE ADAPTER
③	(4523)	1	VBV-770M-SS SUNSHIELD (NOT SHOWN)
④	(3148A)	1	BMM-015 VBV MONITOR BRACKET (SHORT) (NOT SHOWN)
⑤	(4370A)	1	VBV-770M-IG INSTALLATION GUIDE (NOT SHOWN)



- NOTES:
- REFER TO COMPONENT DRAWINGS FOR COMPONENT DETAIL.
 - FOR GIFTBOX LABEL REFER TO LATEST REVISION OF DRAWING BE-003384-XX-16
 - FOR GIFTBOX SERIAL NUMBER LABEL REFER TO LATEST REVISION OF DRAWING BE-001323-XX-10.
 - PURCHASE ORDER TO DEFINE PACKAGING VARIANT.
 - REFER TO LATEST REVISION OF DRAWING BE-001861-XX-11 FOR PACKAGING DETAIL.

PROPRIETARY NOTICE
 THIS DESIGN AND TECHNICAL INFORMATION APPEARING ON THIS DRAWING IS THE PROPERTY OF BRIGADE ELECTRONICS, AND IS DISCLOSED IN CONFIDENCE. IT IS NOT TO BE COPIED, REPRODUCED, REVEALED TO OR EXPROPRIATED BY OTHERS, EITHER IN WHOLE OR IN PART WITHOUT THE EXPRESS WRITTEN CONSENT OF BRIGADE ELECTRONICS.

Customer Approval LABDALLA 06/05/16	Assembly Pl Approval S.ATTWOOD (04/05/16)	Approved by B.CHILDS	Checked by R.BATES	Released 05/05/16	Drawn by D.RICHARDSON
 www.brigade-electronics.com	Angle of Projection Third Angle	Units mm	Scale N/A	Status RELEASED	Assembly Ref -
		Part No 5088	VBV-770M(DTM)		
			BE-003350-00-16		